

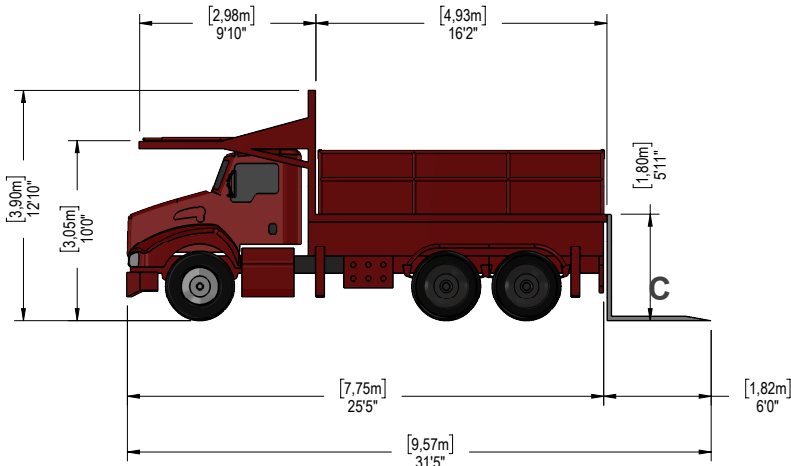


PLATFORM TRUCK J-100PF/35

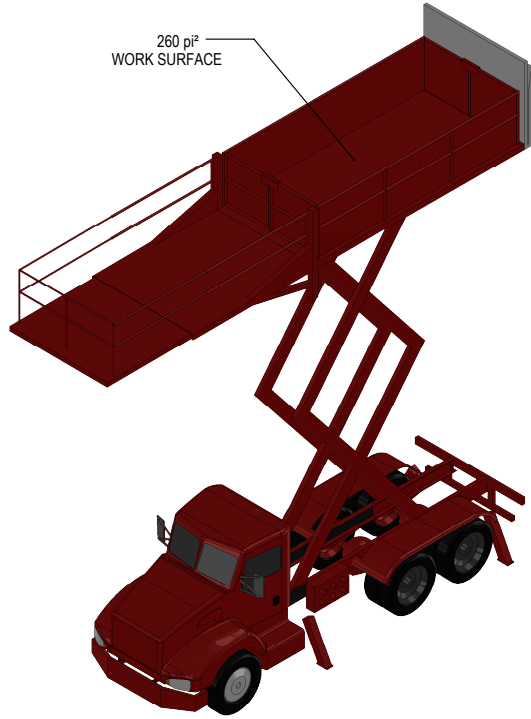
SPECIFICATIONS

Length of platform	10.1	m	33'	ft-in
Width of platform	2.4	m	7'-11"	ft-in
Length of close section	4.9	m	16'-2"	ft-in
Deployment height	8.3	m	27'-5"	ft-in
Length	1.8	m	6'	ft-in
Transport length	7.8	m	25'-5"	ft-in
Transport width	2.4	m	7'-11"	ft-in
Transport height	3.9	m	12'-10"	ft-in
Lift capacity	910	kg	2 000	lbs
Platform Capacity	2 727	kg	6 000	lbs
Total weight	20 865	kg	45 903	lbs

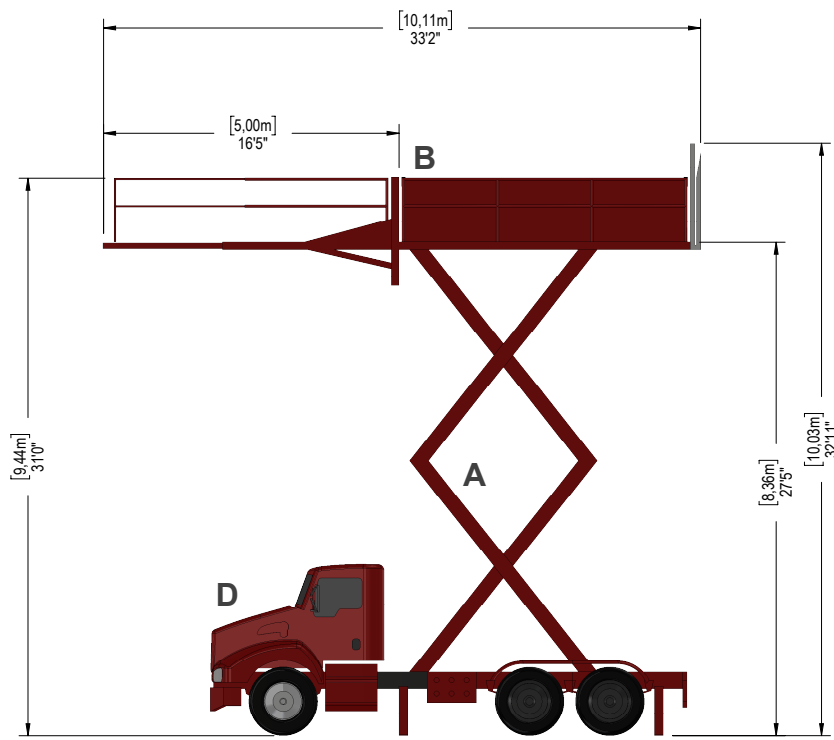
www.jenikgroup.com



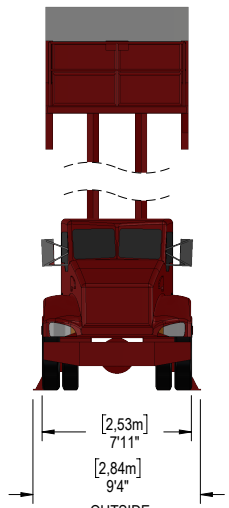
ELEVATION VIEW
(TRANSPORT)



ISOMETRIC VIEW



ELEVATION VIEW
(DEPLOY)



OUTSIDE
OUTRIGGER

SIDE VIEW

MODEL : JENIK GROUP J-100PF/35

LEGEND

A : Scissors B : Platform C : Lift D : Truck

The authorized procedure to reach the platform is by the lift