



# UNDERBRIDGE BUCKET TRUCK J-50 UB

SPECIFICATIONS	Horizontal reach under bridge	15.8 m	51'8" ft
	Vertical reach down	19.2 m	62'9" ft
	Vertical reach up	11.6 m	38'0" ft
	Movement No°11	+30 à -35 degrees	
	Movement No°22	+ 0 à -105 degrees	
	Movement No°33	+90 à -60 degrees	
	Movement No°44	+90 à -36 degrees	
	Space required on bridge	2.6 m	8'5" ft
	Basket capacity	272 kg	600 lb
	Basket size	1010 x 1520 x 1070 mm	40" x 60" x 42"
Total length	11.3 m	37'0" ft	
Total size	4.0 m	13'1" ft	

[www.jenikgroup.com](http://www.jenikgroup.com)



REAR AXELS WEIGHT 20 729 KG / 45 700 lb

FRONT AXEL WEIGHT 8 816 KG / 19 440 lb

MODEL : ASPEN J-50 UB

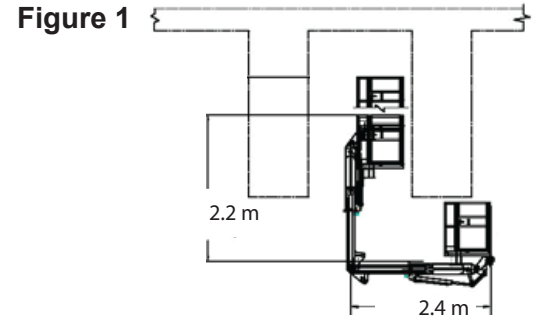


Figure 2

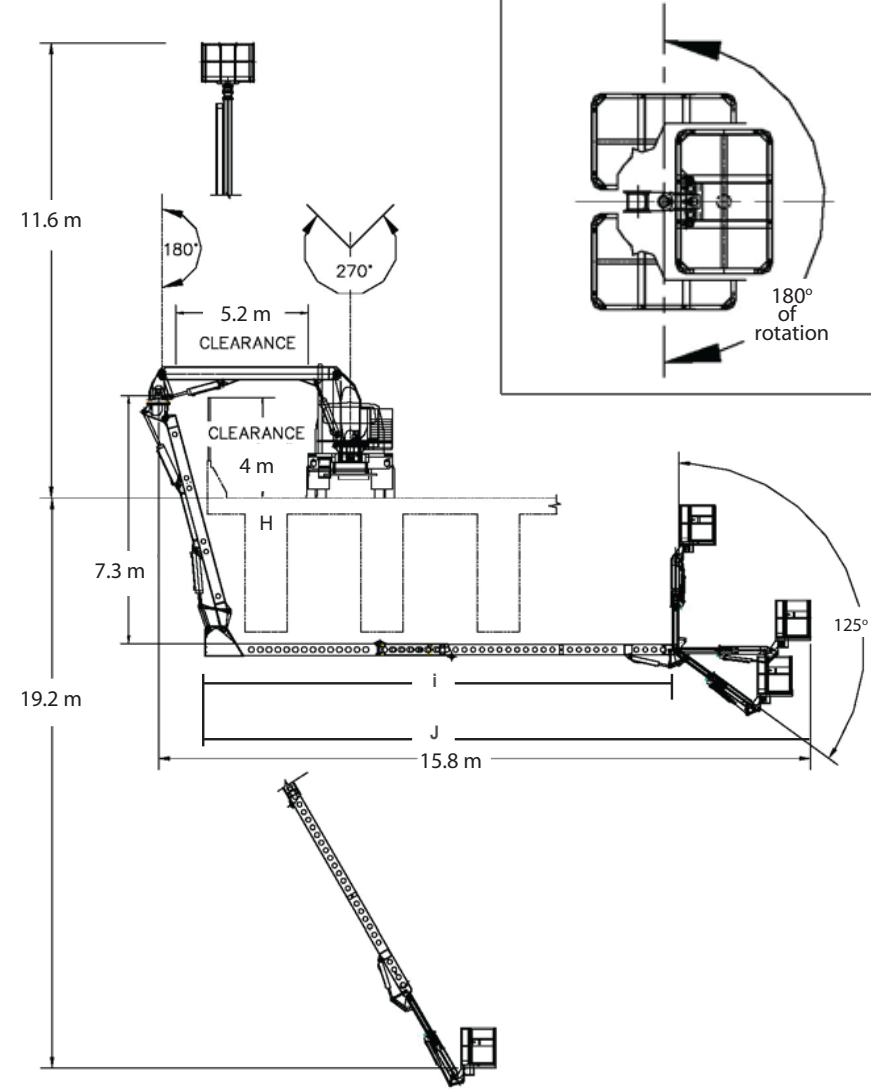


Figure 3 (Rotation)

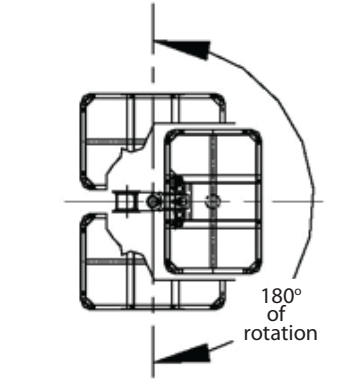
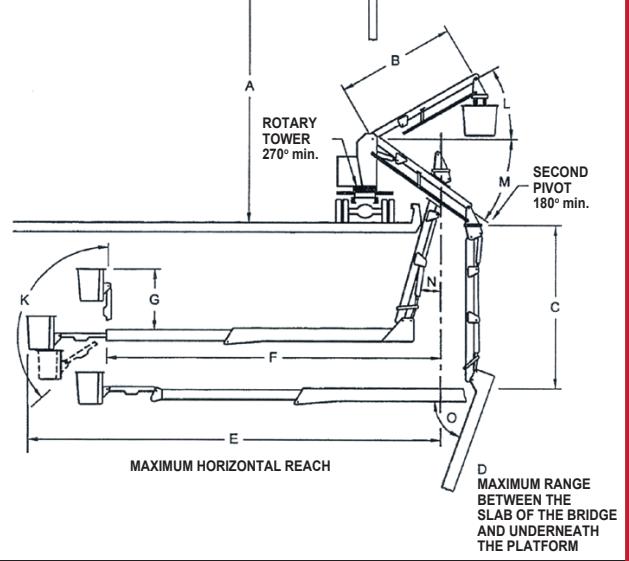


Figure 4



**DIMENSIONS**

A	11.6 m
B	5.2 m
C	7.3 m
D	19.2 m
E	15.8 m
F	7.5 m
G	2.2 m
H	4 m
I	7.5 m
J	11.5 m
K	125°
L	30°
M	35°
N	15°
O	2.2 m