



UNDERBRIDGE BUCKET TRUCK J-62 A

SPECIFICATIONS

Horizontal reach under bridge	18.8 m	61'9" ft
Vertical reach down	20.6 m	67'9" ft
Vertical reach up	15.7 m	51'9" ft
Movement No 1	+30 à -35 degrees	
Movement No 2	+ 0 à -105 degrees	
Movement No 3	+90 à -60 degrees	
Movement No 4	+90 à -36 degrees	
Space required on bridge	2.5 m	8'2" ft
Basket capacity	272 kg	599 lb
Basket size	1010 x 1520 mm	40" x 60" x 42"
Total length	12.2 m	40'0" ft
Total size	4.0 m	13' ft

www.jenikgroup.com



REAR AXELS WEIGHT 8 816 KG / 19 440 lb

FRONT AXEL WEIGHT 20 729 KG / 45 700 lb

MODEL : ASPEN A-62

Figure 1

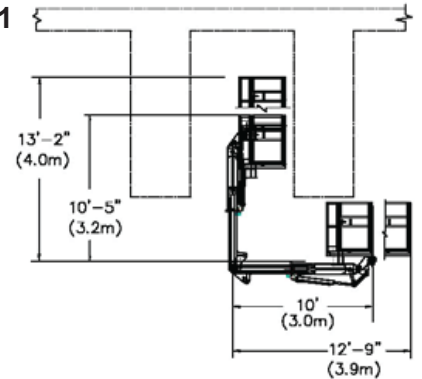


Figure 2

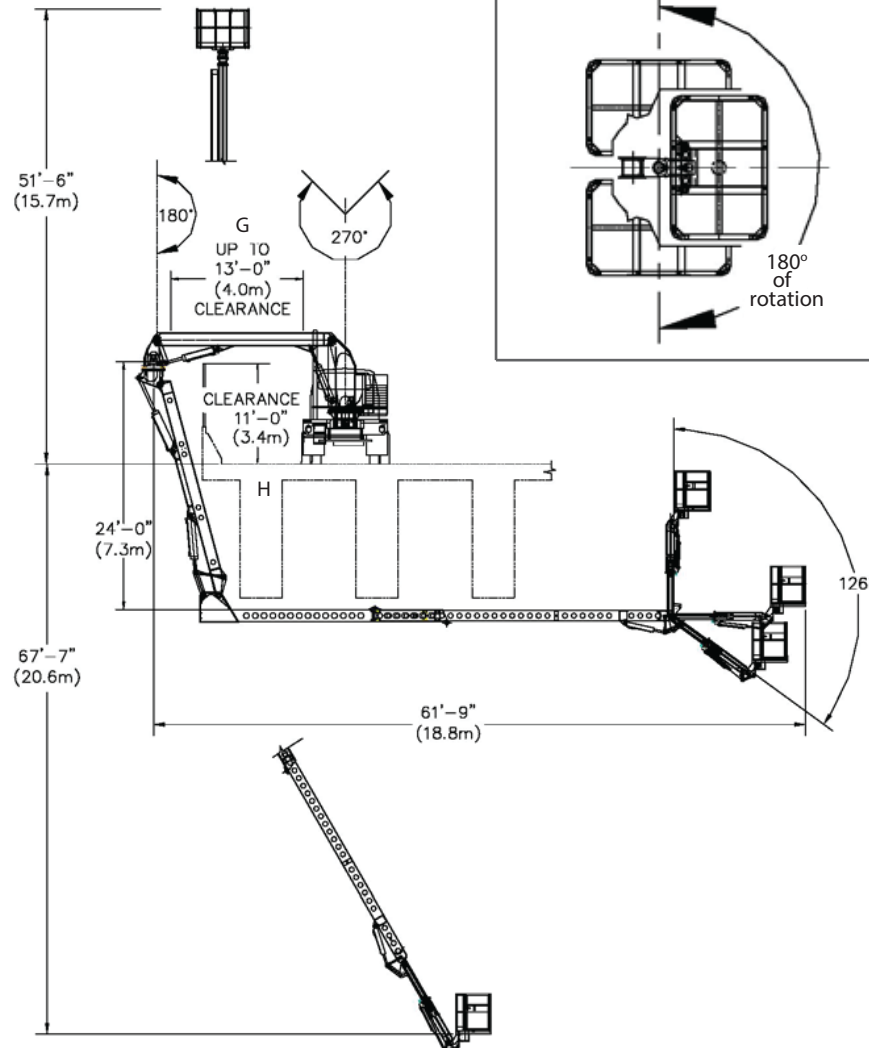


Figure 3 (Rotation)

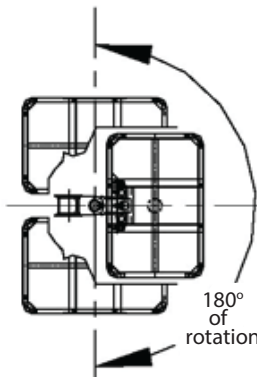
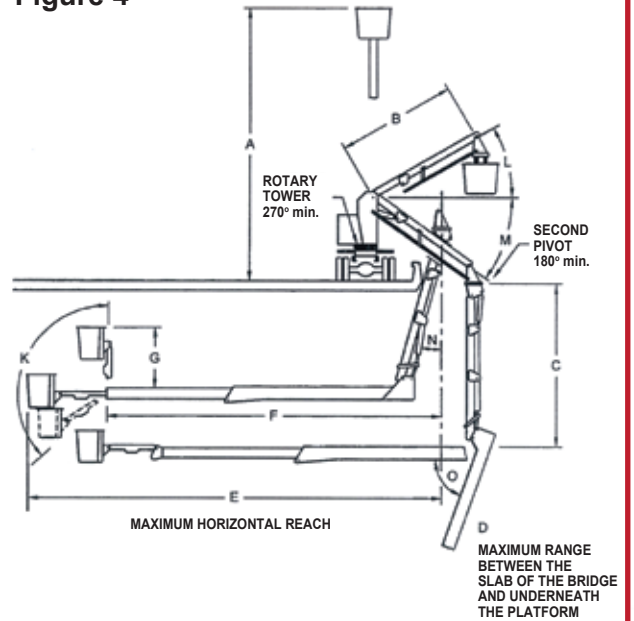


Figure 4



DIMENSIONS

A	15.7 m	51'6"
B	5.0 m	16'4"
C	7.3 m	24'
D	20.6 m	67'7"
E	18.8 m	61'9"
F	14.5 m	47'5"
G	4.0 m	13'
H	3.4 m	11'
J	4.0 m	13'
K	125°	
L	30°	
M	35°	
N	15°	
O	60°	