



# UNDER BRIDGE TRAILER ACCESS J-100T/35 H

## SPECIFICATIONS

Platform length	10.67 m	35' ft
Platform width - I.D. Alum.	0.78 m	2'7" ft
- I.D. Steel	0.94 m	3'1" ft
Vertical height clearance	1.75 m	5'9" ft
Max. lowering depth	5.54 m	18'2" ft
Tower separation width	1.55 m	5'1" ft
Unit length (transport pos.)	10.67 m	35' ft
Unit width (transport pos.)	2.54 m	8'4" ft
Unit height (transport pos.)	3.20 m	10'6" ft
Platform rotation	180 degrees	
Platform weight capacity	1 000 lb	455 kg
Total weight (approximate)	17 900 lb	8 119 kg

[www.jenikgroup.com](http://www.jenikgroup.com)

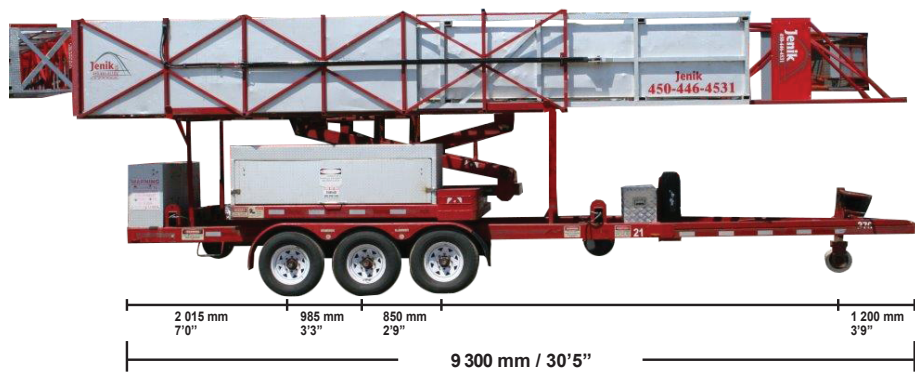


Figure 1



Figure 2

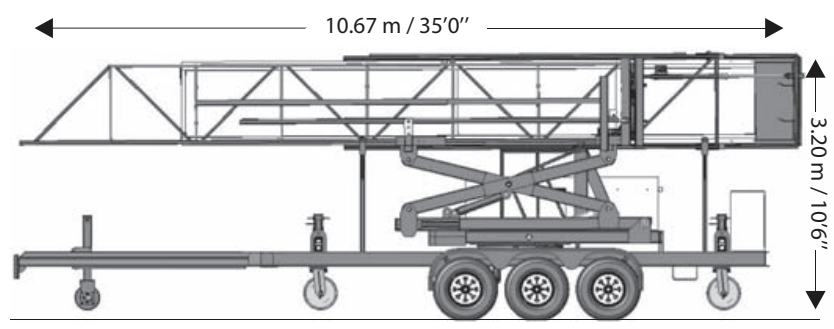
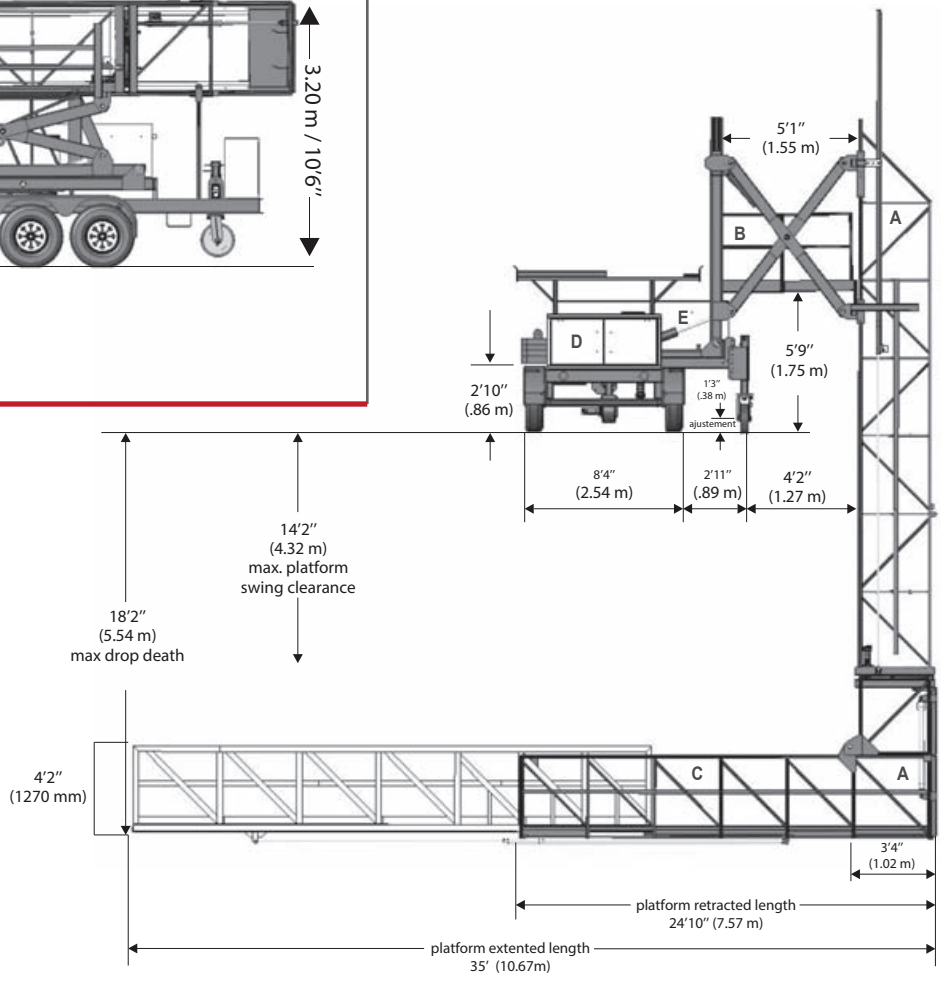


Figure 3



MODEL : HYDRA PLATFORMS HPT 35 LEGEND

A : Tower B : Parallel C : Platform D : Trailer E : Access F : Paving

The authorized procedure to reach the platform is by proceeding the following way F-D-E-B-A-C